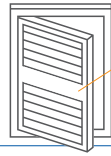


# Plantation Shutters

## Panel Layout Chart

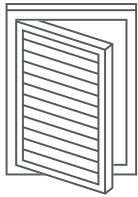
To decide which Panel Layout will best suit your windows, follow these 2 simple rules: #1 Less is more. #2 You must follow the window. Used in conjunction with your Check Measure Worksheet, the Panel Layout Charts will ensure you get the best possible result when measuring for your Plantation Shutters.

Min Panel Drop **300mm**  
Max Panel Drop **2420mm**  
Min Panel Width **180mm**



**Midrails:** Drops > 1600mm = **1 x Midrail Required**

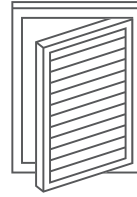
**P** - Panels  
**T** - T-Posts



### Layout A

**1 PANEL**  
Max Width per Panel **950mm**  
Max Width per Layout **950mm**

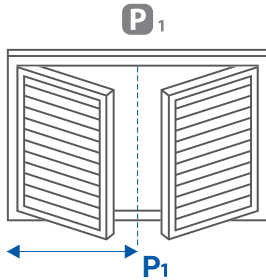
mm ← →



### Layout B

**1 PANEL**  
Max Width per Panel **950mm**  
Max Width per Layout **950mm**

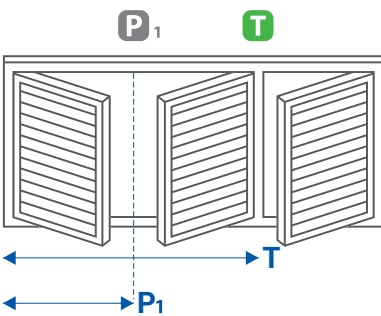
mm ← →



### Layout C

**2 PANELS**  
Max Width per Panel **950mm**  
Max Width per Layout **1,900mm**

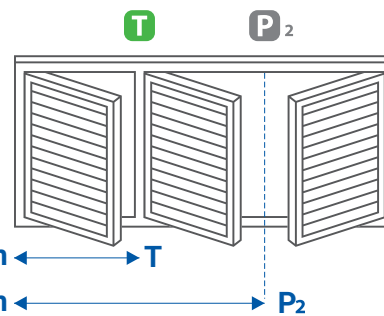
mm ← →



### Layout D

**3 PANELS**  
**1 T-POST**  
Max Width per Panel **950mm**  
per Layout **2,850mm**

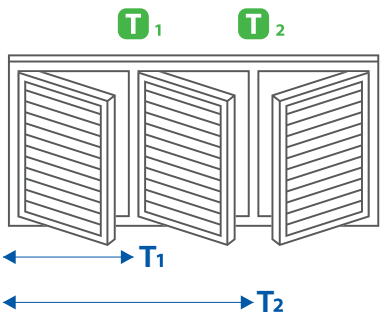
mm ← →  
mm ← →



### Layout E

**3 PANELS**  
**1 T-POST**  
Max Width per Panel **950mm**  
per Layout **2,850mm**

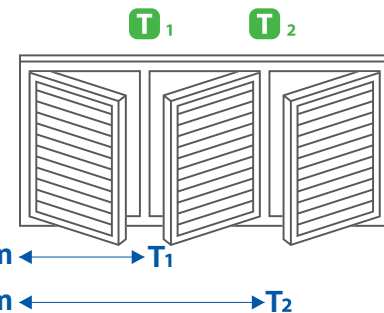
mm ← →  
mm ← →



### Layout F

**3 PANELS**  
**2 T-POSTS**  
Max Width per Panel **950mm**  
per Layout **2,850mm**

mm ← →  
mm ← →



### Layout G

**3 PANELS**  
**2 T-POSTS**  
Max Width per Panel **950mm**  
per Layout **2,850mm**

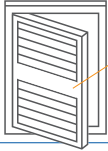
mm ← →  
mm ← →

# Plantation Shutters

## Panel Layout Chart

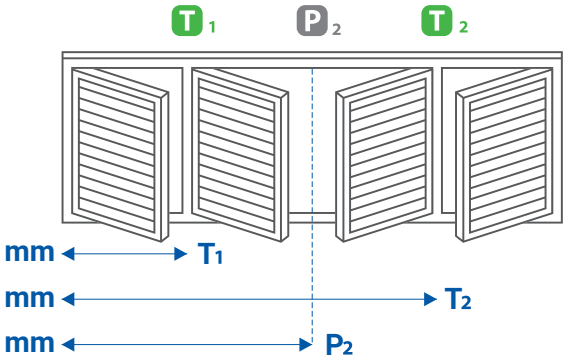
To decide which Panel Layout will best suit your windows, follow these 2 simple rules: #1 Less is more. #2 You must follow the window. Used in conjunction with your Check Measure Worksheet, the Panel Layout Charts will ensure you get the best possible result when measuring for your Plantation Shutters.

Min Panel Drop **300mm**  
Max Panel Drop **2420mm**  
Min Panel Width **180mm**



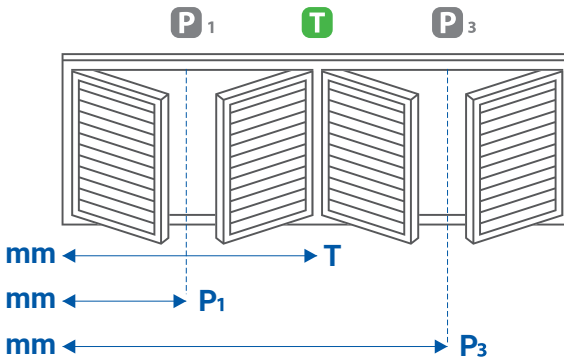
**Midrails:** Drops > 1600mm = 1 x Midrail Required

**P** - Panels  
**T** - T-Posts



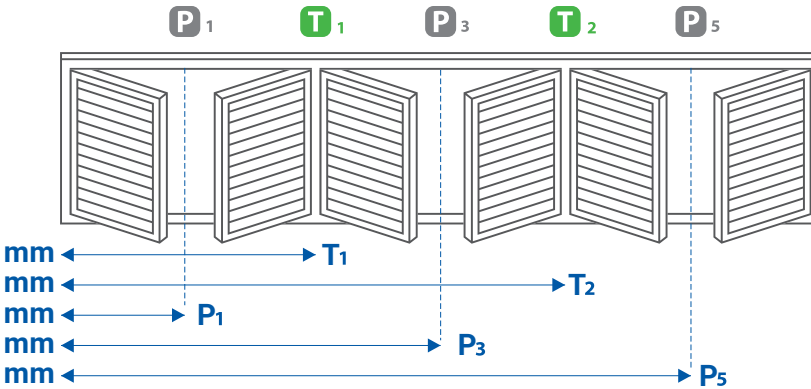
**Layout H**

**4 PANELS**  
**2 T-POSTS**  
Max Width per Panel **950mm**  
Max Width per Layout **3,800mm**



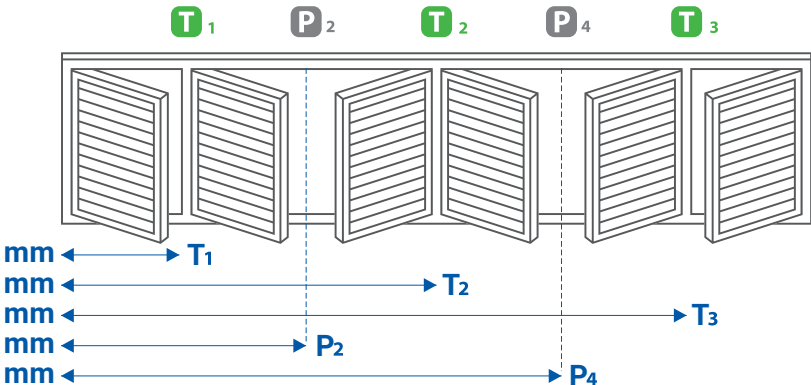
**Layout J**

**4 PANELS**  
**1 T-POST**  
Max Width per Panel **950mm**  
Max Width per Layout **3,800mm**



**Layout K**

**6 PANELS**  
**2 T-POSTS**  
Max Width per Panel **950mm**  
Max Width per Layout **5,700mm**



**Layout L**

**6 PANELS**  
**3 T-POSTS**  
Max Width per Panel **950mm**  
Max Width per Layout **5,700mm**